



7 September 2009, Rev 0 Page 1 of 1

C-Mount Adapter – P/N C0998_050_000 P/N C0999_050_000

General Description

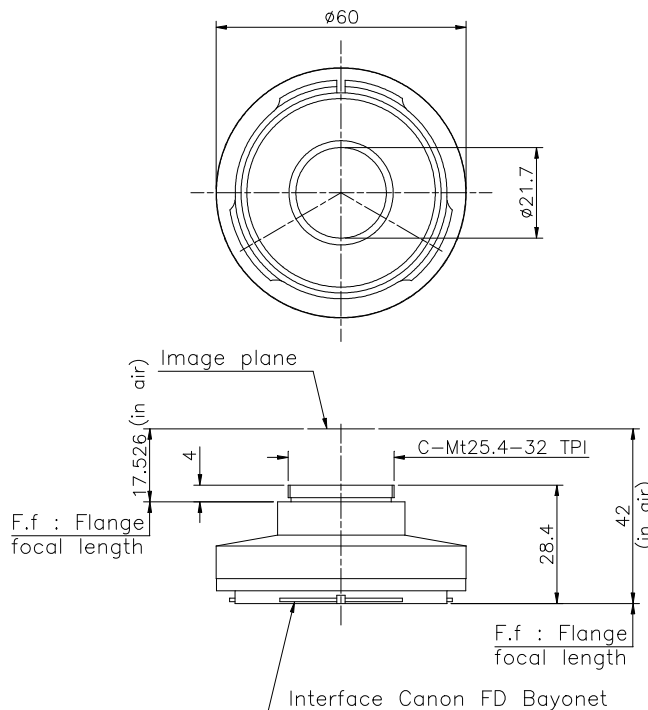
A very simple device able to adapt any kind of lens interface to the standard C-Mount interface. All the bayonet interfaces, like Canon and Nikon, can be adapted without particular action.

In some special case, this adapter can produce a vignetting phenomena, easily predictable if the lens design available.



Outline Dimension

..... & Technical Notes



The technical drawing shows the main dimensions and interfaces in order to guarantee a proper assy (for Canon FD bayonet, but others available too).

More details are available upon request.

The most important value is the BFL (Back Focal Length) of the C-Mount adapter that is 17.525 mm.

The BFL for Canon is 42 mm and the BFL for Nikon is 46.5 mm (only for information).