

Uniblitz® XRS25

25mm Uni-Stable X-ray Shutter



Overview

The Uniblitz XRS25 has been designed specifically for x-ray switching applications. The innovative platinum-iridium (PtIr) blade design allows beam extinction of 90% up to 30 keV x-ray energy (based upon the tenth value extinction of PtIr). The XRS25 is well suited for applications such as x-ray crystallography, medical x-ray imaging, etc.

Note: This device requires two drive channels. The indicated driver will determine the included cable (**910C-D7 or 910C-D5**).

Need Support? Please [visit our website](#) or email us at info@uniblitz.com.

Tel: 585-385-5930 | Toll-Free: 800-828-6972 | Fax: 585-385-6004 | 803 Linden Ave. Rochester, NY 14625
Updated 4/18 | Datasheet Version 5.2 | ©2018 Vincent Associates

Key Features

- 25mm aperture
- Uni-stable operation
- Capable of blocking x-ray energy (30 KeV)
- **RoHS Compliant**
- Transfer time on opening:
10.0 milliseconds
- Total opening time:
16.0 milliseconds
- Configured for the **VCM-D1**
Shutter Driver

Product Options

XRS25 2 3 4 5 6 - 7 - 8 Ex: XRS25S2P0-EC-21

1 Shutter Series:

- **XRS25**

2 Driver Compatibility: ¹

- **S:** Use with VCM-D1 (Std.)
- **E:** Use with D880C or VED24

3 Housing:

- **1:** Un-Housed
- **2:** #2 Housing

4 Blade Coating:

- **P:** 0.01" thick PtIr (10% iridium, 90% platinum)

5 Electronic Sync:

- **0:** Omitted
- **1:** Included

6 Connector:

- **L:** 18" flying leads (*Un-housed only*)
- Leave blank for 9-pin Wire Pro connector

7 Encapsulated Coil:

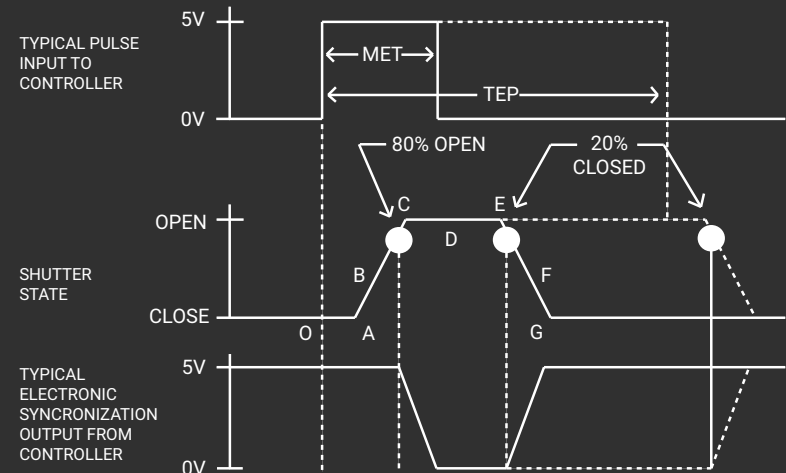
- **EC:** Included
- Leave blank if not required

8 Mount: (*#2 housing only*)

- **21:** Zeiss Axiovert
- **24:** Olympus BX/IX
- **27:** Nikon
- **105:** C-Mount (Male)
- **106:** C-Mount (Female)
- Leave blank if not required

¹ This device requires two drive channels. The indicated driver will determine the included cable (910C-D7 or 910C-D5).

Shutter Timing



XRS25 (w/ VCM-D1 driver and PtIr blades)

Time (msec.)

| | | |
|-------|---|-------|
| O - A | Delay time on opening after current applied | 6.0 |
| A - C | Transfer time on opening | 10.0 |
| O - C | Total opening time | 16.0 |
| C - E | Min. dwell time with min. input pulse | 17.5 |
| B - F | Min. equivalent exp. time | 5.0 |
| E - G | Transfer time on closing | 15.0 |
| A - G | Total window time | 30.0 |
| MET | Min. exposure time | 20.0 |
| TEP | Typical exposure pulse | >30.0 |

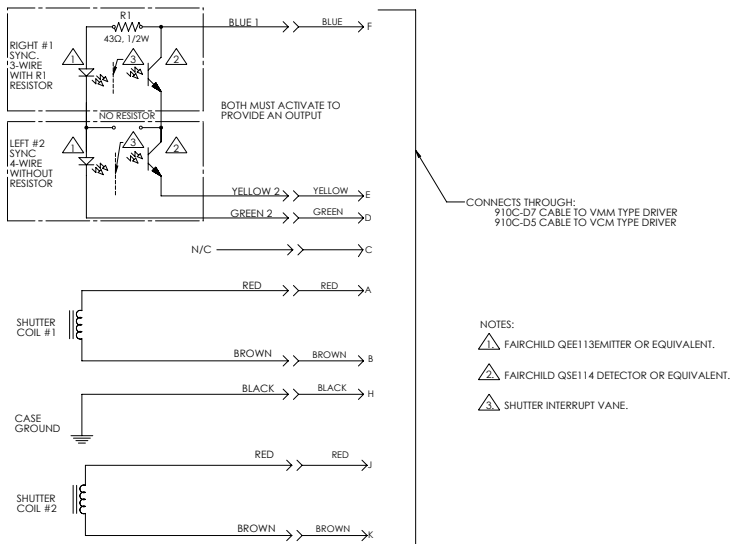
Technical Specifications

| Coil Resistance | Voltage to Open | Hold Voltage (Nominal) ¹ |
|-----------------|-----------------|-------------------------------------|
| 12 Ω | +65 VDC | +5 VDC |

¹ Voltage level required across actuator coil when being held in the open position.

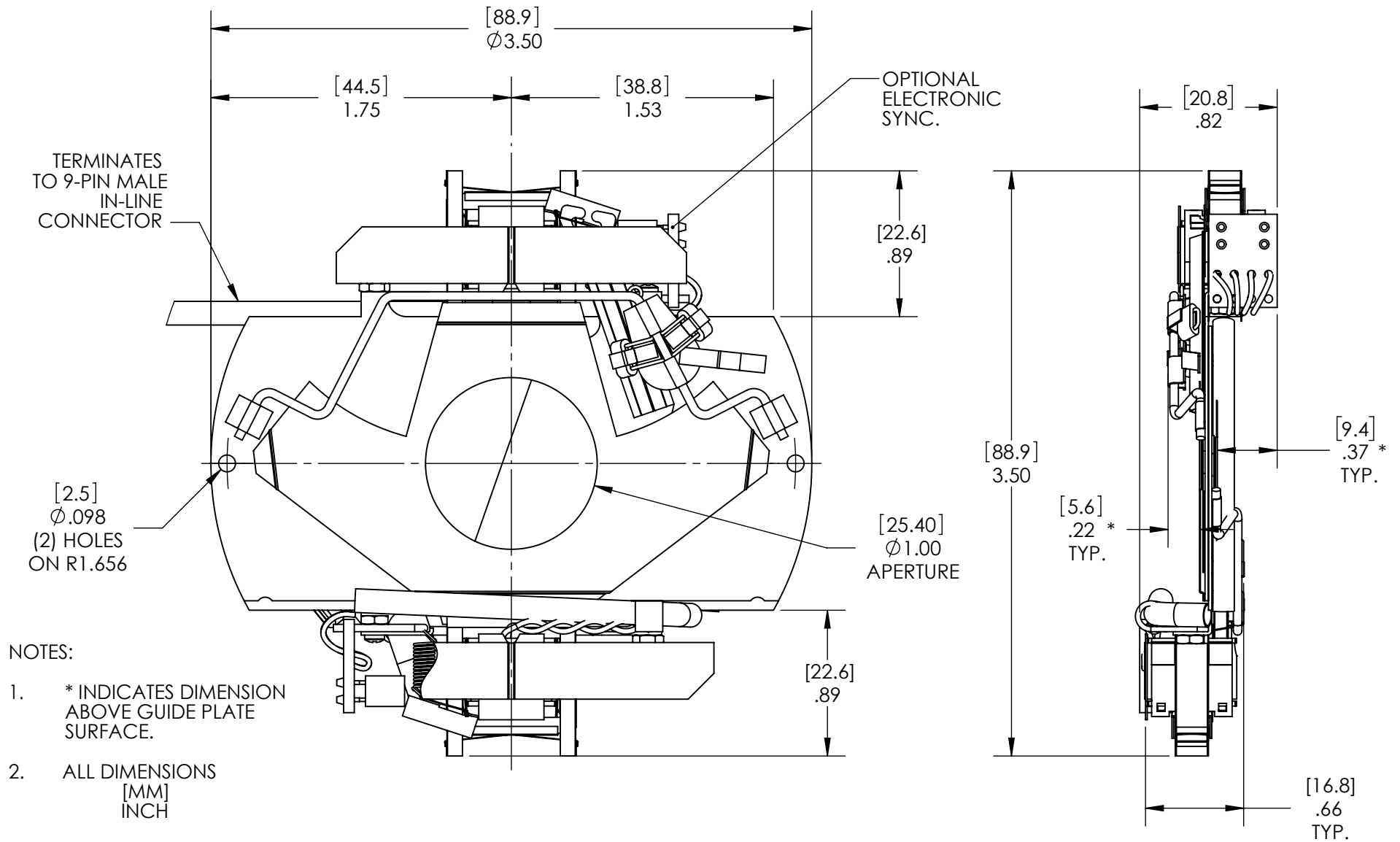
² (Continuous/Burst) Continuous frequency rating specified at shutter's minimum exposure pulse. Burst frequency rating specified for four (4) seconds maximum with one (1) minute minimum between bursts.

| Series | Weight (Unhoused) | Weight (Housed) | Operating Temp. | Max. Opening Bounce | Max. Closing Bounce | Max. Freq. of Operation ² | Number of Shutter Blades |
|--------|-------------------|--------------------|-----------------|---------------------|---------------------|--------------------------------------|--------------------------|
| XRS25 | 4.40 oz (0.13 kg) | 12.98 oz (0.37 kg) | 0 - 80 °C | 15% | 5% | 2 Hz / 10 Hz | 2 |

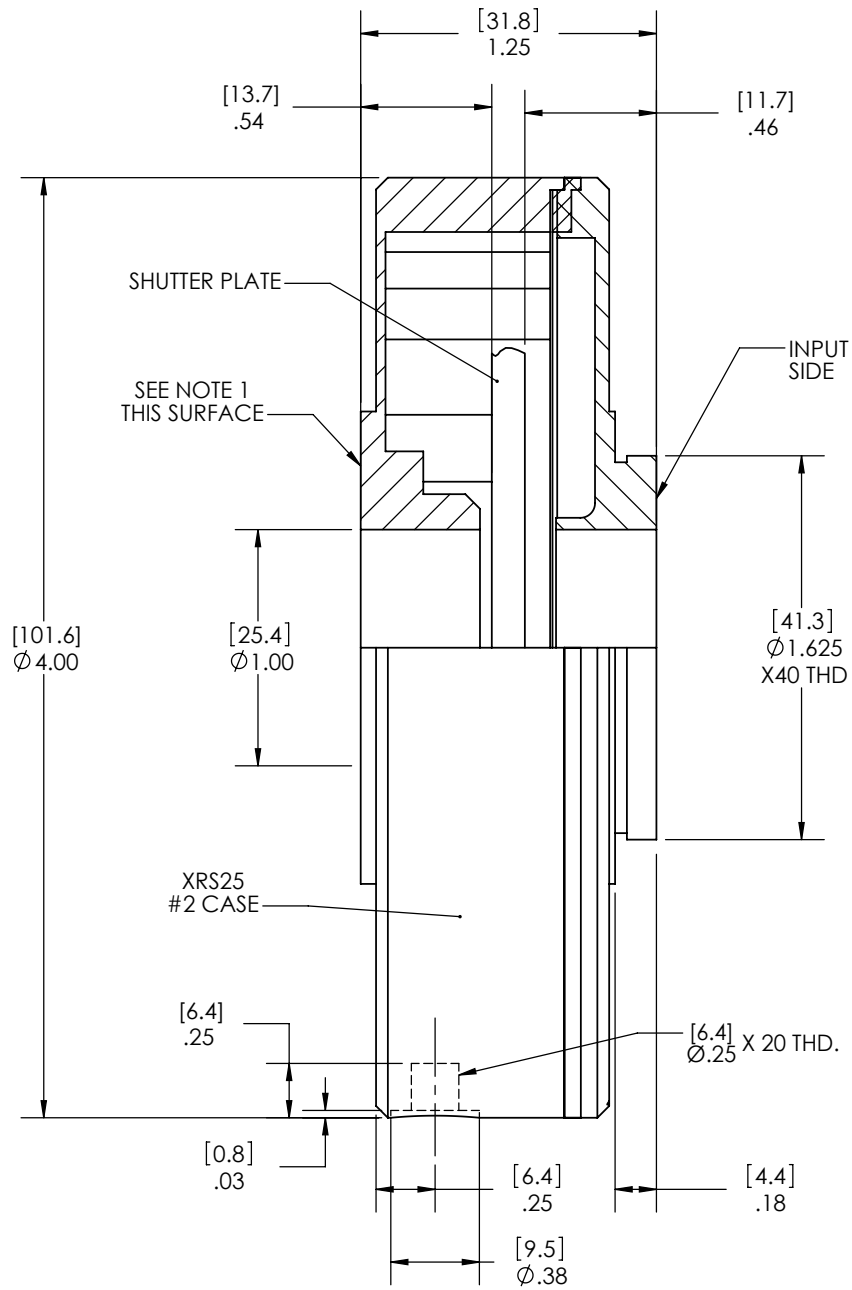


The electronic synchronization system provides a feedback signal (through the driver utilized) after the shutter transfers to the open state. The system incorporates an infrared emitting diode, an infrared sensitive detecting transistor, and an interrupting vane. The vane is attached to the shutter so as to block the light path between the emitter and detector in the closed position. When the shutter transfers to the 80% open position, the vane is removed from the infrared light path, allowing the emitter to switch the detector to the active state. For the XRS25, this system uses a similar activation flag attached to the mechanism, which triggers a reflective emitter/detector device. **No connection to the designated synchronization pins when no electronic sync. is selected.**

Technical Drawings - Un-housed XRS25



Technical Drawings - Housed XRS25



NOTES:

- (3) #2-56 MOUNTING HOLES ON A $\varnothing 1.204$ BOLT CIRCLE, 120° APART
(3) #2-56 MOUNTING HOLES ON A $\varnothing 1.578$ BOLT CIRCLE, 120° APART.
- ALL DIMENSIONS

[MM]
INCH

Technical Drawings - XRS25 Connector Layout

