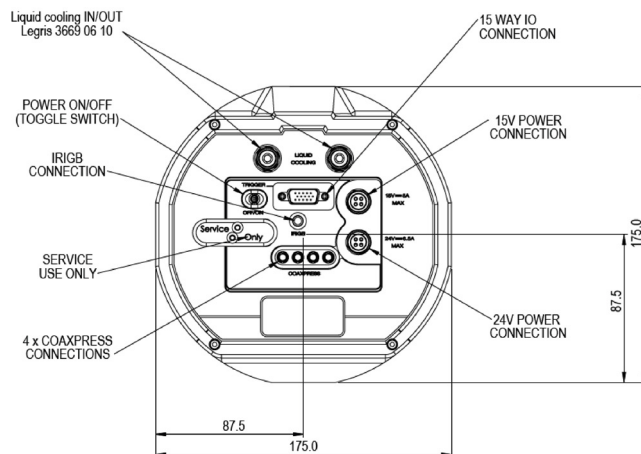
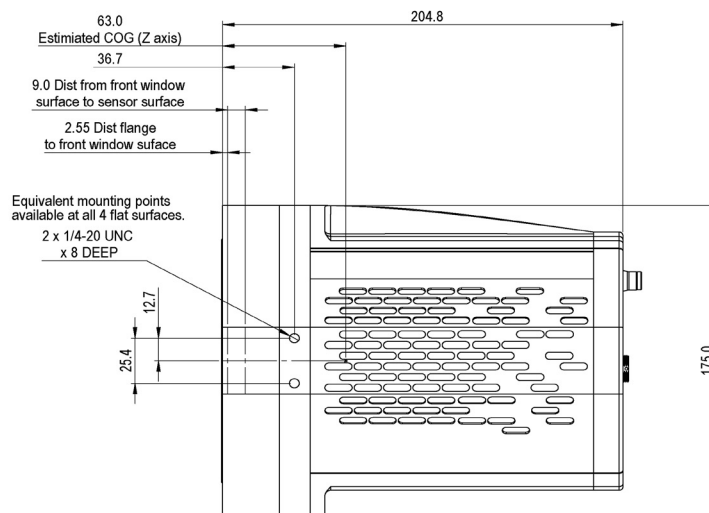
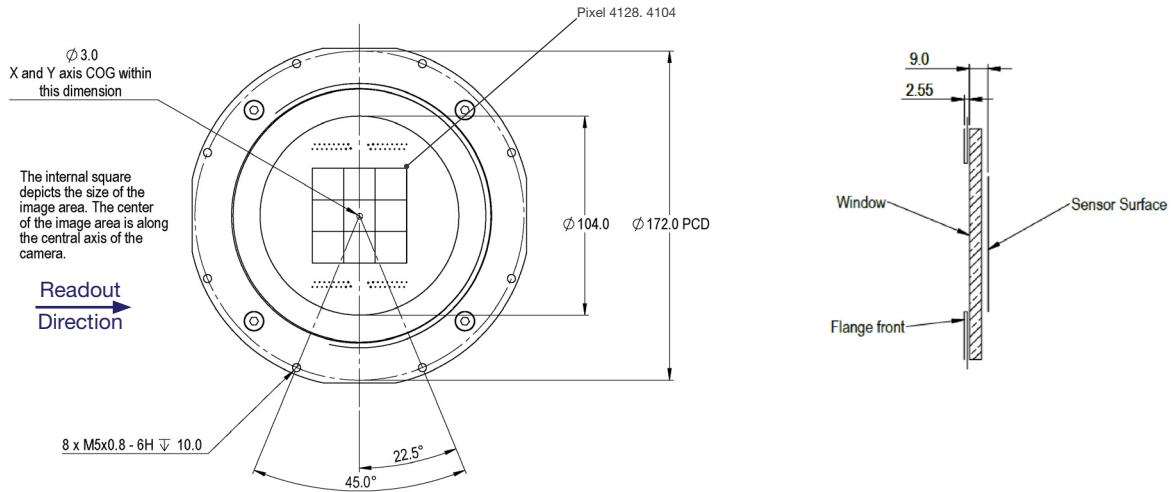


Mechanical Drawings

Dimensions in mm [inches]



Weight (approx):

Liquid Cooled Only: ~9 kg

Flexi Cooled: ~9 kg

Abbreviation	Meaning
--------------	---------

COG Centre of Gravity

PCD Pitch Circle Diameter

UNC Unified National Coarse Thread Standard

Note: air vents are not present in the housing of the Liquid Cooled Only model (not shown). This option can be selected for minimal thermal bloom.