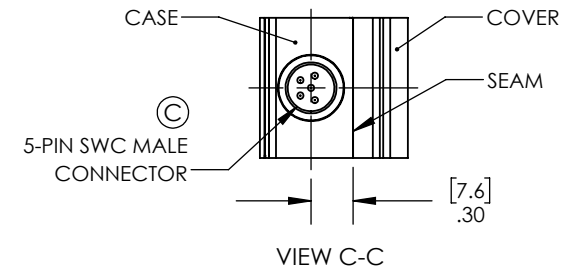
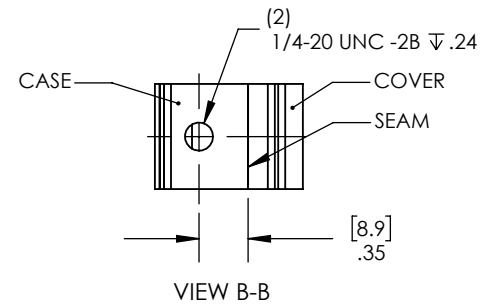
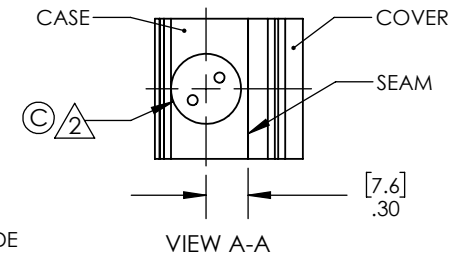
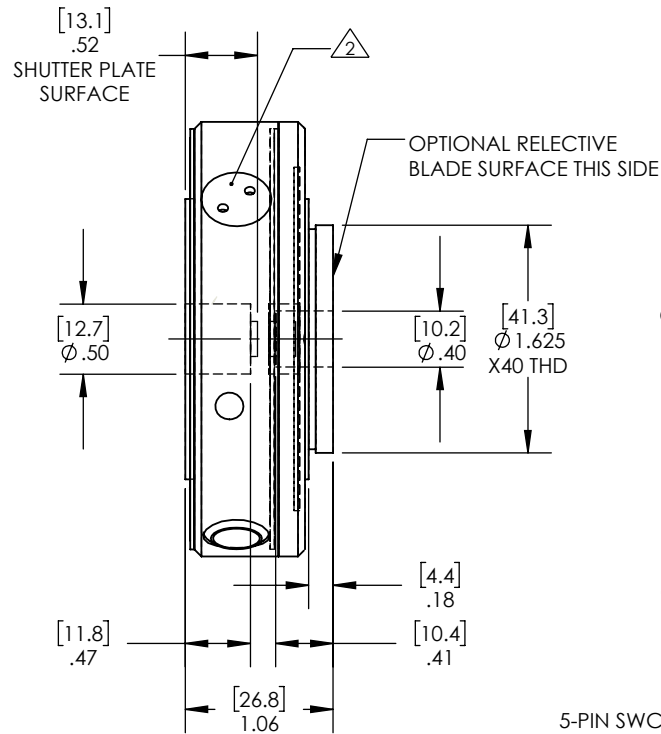
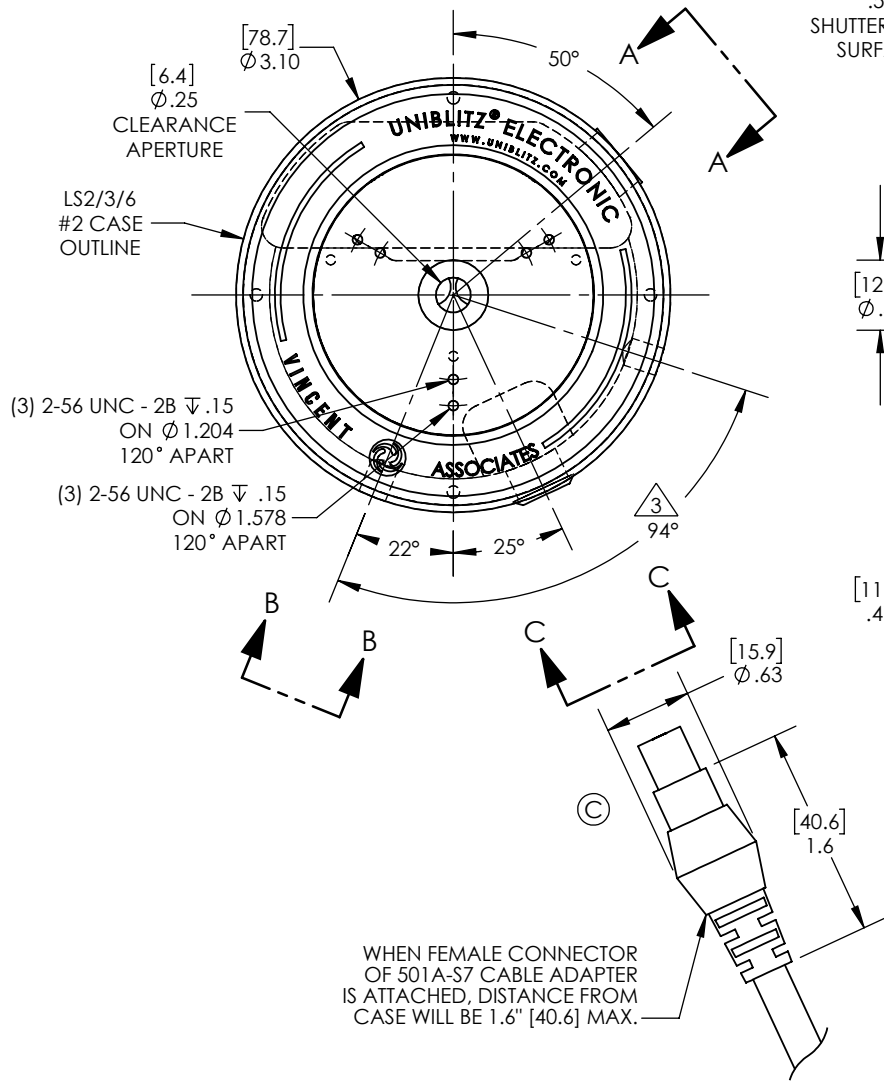


# Technical Drawings - LS6 Housing/Connector Layout



# Technical Drawings - Un-housed LS6

