

#105 Male C Mount Video Adapter

Overview

- The #105 C mount adapter flange adapts specific shutter housing types to user equipment fitted with a C mount thread (1.00in x 32TPI).
- This adapter can be attached to the housing rear surface (via the 16.25in x 40TPI thread) or the front surface (via three #2-56 flat head screws).
- The housed versions of the VS, LS, and XRS series shutters, as well as the CS25 and CS35, can be configured with this flange type.

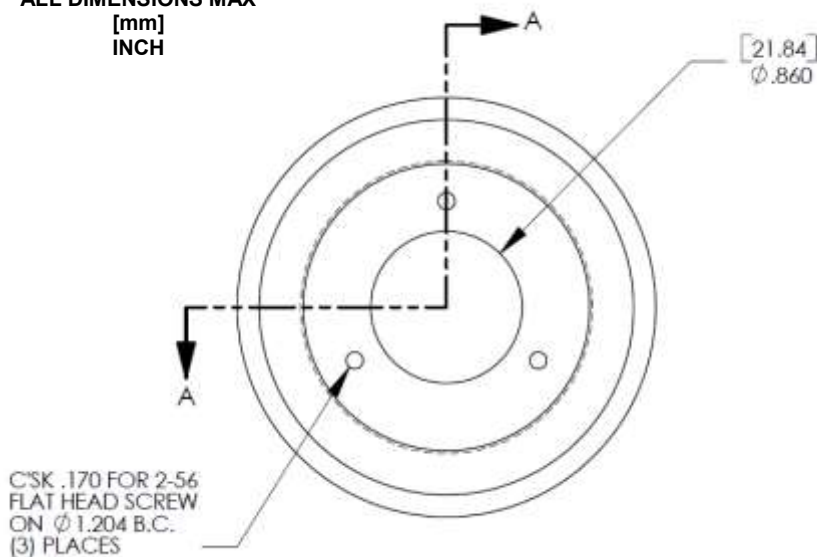


Fig. 1 #105 Male C Mount Video Adapter

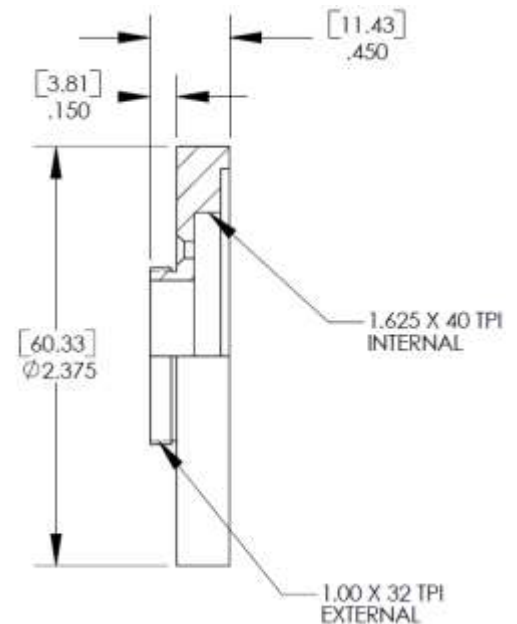
Drawings

Front View

ALL DIMENSIONS MAX
 [mm]
 INCH



Side View



For information regarding applicable intellectual property, please visit www.uniblitz.com/patents.

803 Linden Avenue • Rochester, NY 14625 • 585-385-5930 tel • 800-828-6972 toll-free • 585-385-6004 fax • www.uniblitz.com

Due to our ongoing product development program, Vincent Associates reserves the right to discontinue or change specifications or designs at any time, without incurring any obligations. Teflon is a registered trademark of E.I. DuPont. Drawings shown for illustrative purposes only. Updated 06/13. *Specification sheet Ver. 1.1*