

#21 Zeiss Axiovert Type Microscope Mount Set

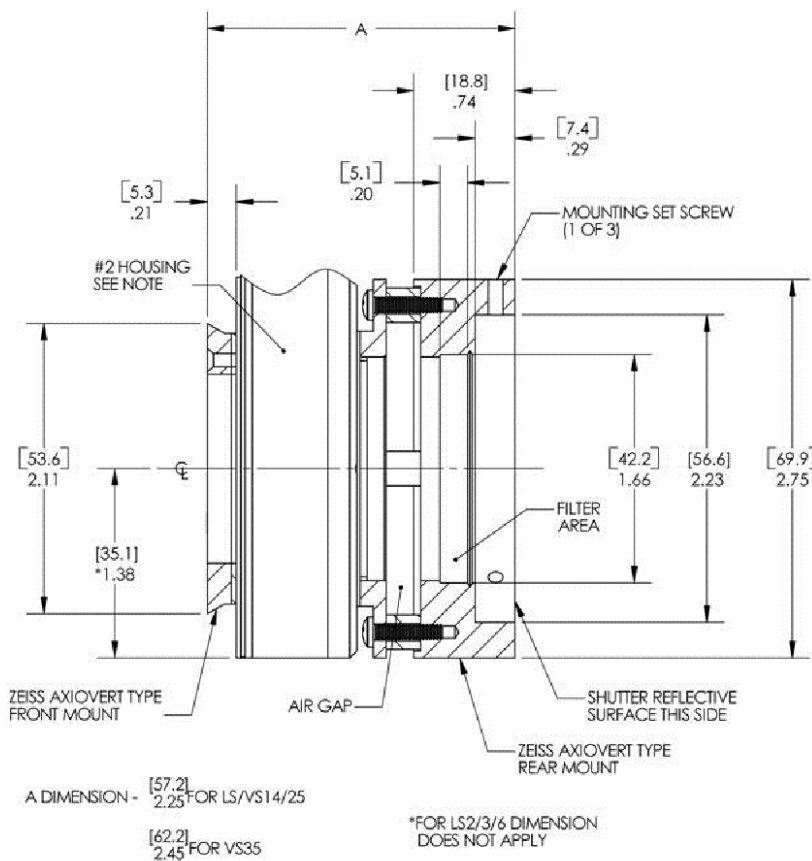
Overview

- The #21 mount set adapts specific shutter housing types to a Zeiss type microscope configured with the Zeiss type Axiovert Ring Dovetail Mounts. No modification to the microscope should be necessary.
- A filter area is also provided to allow the user to install an optical filter between the light source and the shutter housing.
- The housed versions of the VS, LS, and XRS series shutters, as well as the CS25 and CS35, can be configured with this mount set type. A clearance cutoff (1.38in/35.1mm from aperture center) is provided with the VS series only.



Fig. 1 #21 Zeiss Axiovert Type Microscope Mount Set

Drawings



For information regarding applicable intellectual property, please visit www.uniblitz.com/patents.

803 Linden Avenue • Rochester, NY 14625 • 585-385-5930 tel • 800-828-6972 toll-free • 585-385-6004 fax • www.uniblitz.com

Due to our ongoing product development program, Vincent Associates reserves the right to discontinue or change specifications or designs at any time, without incurring any obligations. Teflon is a registered trademark of E.I. DuPont. Drawings shown for illustrative purposes only. Updated 06/13. *Specification sheet Ver. 1.1*